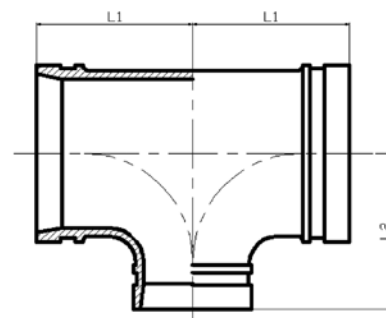


8061

Reducing Tee

Gr8LOK by **GRUVLOK**



MATERIAL SPECIFICATIONS

CAST FITTINGS:

Ductile Iron conforming to ASTM A-536

FINISH:

Rust inhibiting paint – Color: Red (standard)

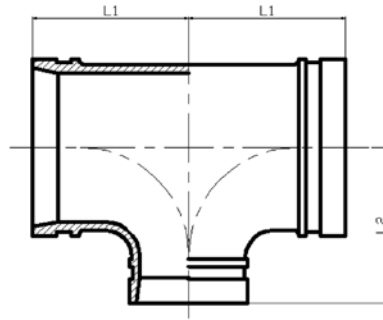
Hot Dipped Zinc Galvanized conforming to ASTM A-153 (optional)

For other coating requirements contact an Anvil Representative.

Nominal Size mm/in	Pipe O.D. mm/in	Max. Working Pressure MPa/PSI	Dimensions	
			L1 mm/in	L2 mm/in
50 x 25 2 x 1	60.3 x 33.7 2.375 x 1.327	3.45 500	70.0 2.75	70.0 2.75
50 x 40 2 x 1½	60.3 x 48.3 2.375 x 1.900	3.45 500	70.0 2.75	70.0 2.75
65 x 40 2½ x 1½	73.0 x 48.3 2.875 x 1.900	3.45 500	76.0 3.00	76.0 3.00
65 x 50 2½ x 2	73.0 x 60.3 2.875 x 2.375	3.45 500	69.0 2.71	75.5 2.97
65 x 32 2½ x 1¼	76.1 x 42.4 3.000 x 1.669	3.45 500	76.0 3.00	76.0 3.00
65 x 40 2½ x 1½	76.1 x 48.3 3.000 x 1.900	3.45 500	76.0 3.00	76.0 3.00
65 x 50 2½ x 2	76.1 x 60.3 3.000 x 2.375	3.45 500	69.0 2.71	75.5 2.97
80 x 25 3 x 1	88.9 x 33.7 3.500 x 1.327	3.45 500	108.0 4.25	108.0 4.25
80 x 32 3 x 1¼	88.9 x 42.4 3.500 x 1.669	3.45 500	85.5 3.37	85.5 3.37
80 x 40 3 x 1½	88.9 x 48.3 3.500 x 1.900	3.45 500	85.5 3.37	85.5 3.37
80 x 50 3 x 2	88.9 x 60.3 3.500 x 2.375	3.45 500	85.5 3.37	85.5 3.37
80 x 65 3 x 2½	88.9 x 73.0 3.500 x 2.875	3.45 500	85.5 3.37	85.5 3.37
80 x 65 3 x 2½	88.9 x 76.1 3.500 x 3.000	3.45 500	85.5 3.37	85.5 3.37
100 x 50 4 x 2	108.0 x 60.3 4.250 x 2.375	3.45 500	101.0 3.98	101.0 3.98
100 x 80 4 x 3	108.0 x 88.9 4.250 x 3.500	3.45 500	101.0 3.98	101.0 3.98
100 x 25 4 x 1	114.3 x 33.7 4.500 x 1.327	3.45 500	101.0 3.98	101.0 3.98
100 x 40 4 x 1½	114.3 x 48.3 4.500 x 1.900	3.45 500	101.0 3.98	101.0 3.98
100 x 50 4 x 2	114.3 x 60.3 4.500 x 2.375	3.45 500	101.0 3.98	101.0 3.98
100 x 65 4 x 2½	114.3 x 73.0 4.500 x 2.875	3.45 500	101.0 3.98	101.0 3.98
100 x 65 4 x 2½	114.3 x 76.1 4.500 x 3.000	3.45 500	101.0 3.98	101.0 3.98
100 x 80 4 x 3	114.3 x 88.9 4.500 x 3.500	3.45 500	101.0 3.98	101.0 3.98
125 x 50 5 x 2	133.0 x 60.3 5.250 x 2.375	3.45 500	124.0 4.88	124.0 4.88

8061

Reducing Tee



Nominal Size mm/in	Pipe O.D. mm/in	Max. Working Pressure MPa/PSI	Dimensions	
			L1 mm/in	L2 mm/in
125 x 65 5 x 2½	133.0 x 76.1 5.250 x 3.000	3.45 500	124.0 4.88	124.0 4.88
125 x 100 5 x 4	133.0 x 108.0 5.250 x 4.250	3.45 500	124.0 4.88	124.0 4.88
125 x 100 5 x 4	133.0 x 114.3 5.250 x 4.500	3.45 500	124.0 4.88	124.0 4.88
125 x 40 5 x 1½	139.7 x 48.3 5.500 x 1.900	3.45 500	140.0 5.50	140.0 5.50
125 x 50 5 x 2	139.7 x 60.3 5.500 x 2.375	3.45 500	124.0 4.88	124.0 4.88
125 x 65 5 x 2½	139.7 x 76.1 5.500 x 3.000	3.45 500	124.0 4.88	124.0 4.88
125 x 80 5 x 3	139.7 x 88.9 5.500 x 3.500	3.45 500	124.0 4.88	124.0 4.88
125 x 100 5 x 4	139.7 x 114.3 5.500 x 4.500	3.45 500	124.0 4.88	124.0 4.88
125 x 50 5 x 2	141.3 x 60.3 5.563 x 2.375	3.45 500	124.0 4.88	124.0 4.88
125 x 80 5 x 3	141.3 x 88.9 5.563 x 3.500	3.45 500	124.0 4.88	124.0 4.88
125 x 100 5 x 4	141.3 x 114.3 5.563 x 4.500	3.45 500	124.0 4.88	124.0 4.88
150 x 50 6 x 2	159.0 x 60.3 6.250 x 2.375	3.45 500	140.0 5.50	140.0 5.50
150 x 65 6 x 2½	159.0 x 76.1 6.250 x 3.000	3.45 500	140.0 5.50	140.0 5.50
150 x 80 6 x 3	159.0 x 88.9 6.250 x 3.500	3.45 500	140.0 5.50	140.0 5.50
150 x 100 6 x 4	159.0 x 108.0 6.250 x 4.250	3.45 500	140.0 5.50	140.0 5.50
150 x 100 6 x 4	159.0 x 114.3 6.250 x 4.500	3.45 500	140.0 5.50	140.0 5.50
150 x 125 6 x 5	159.0 x 133.0 6.250 x 5.250	3.45 500	140.0 5.50	140.0 5.50
150 x 50 6 x 2	165.1 x 60.3 6.500 x 2.375	3.45 500	140.0 5.50	140.0 5.50
150 x 65 6 x 2½	165.1 x 76.1 6.500 x 3.000	3.45 500	140.0 5.50	140.0 5.50
150 x 80 6 x 3	165.1 x 88.9 6.500 x 3.500	3.45 500	140.0 5.50	140.0 5.50
150 x 100 6 x 4	165.1 x 114.3 6.500 x 4.500	3.45 500	140.0 5.50	140.0 5.50
150 x 125 6 x 5	165.1 x 139.7 6.500 x 5.500	3.45 500	140.0 5.50	140.0 5.50
150 x 50 6 x 2	168.3 x 60.3 6.625 x 2.375	3.45 500	140.0 5.50	140.0 5.50

Nominal Size mm/in	Pipe O.D. mm/in	Max. Working Pressure MPa/PSI	Dimensions	
			L1 mm/in	L2 mm/in
150 x 65 6 x 2½	168.3 x 73.0 6.625 x 2.875	3.45 500	140.0 5.50	140.0 5.50
150 x 65 6 x 2½	168.3 x 76.1 6.625 x 3.000	3.45 500	140.0 5.50	140.0 5.50
150 x 80 6 x 3	168.3 x 88.9 6.625 x 3.500	3.45 500	140.0 5.50	140.0 5.50
150 x 100 6 x 4	168.3 x 114.3 6.625 x 4.500	3.45 500	140.0 5.50	140.0 5.50
150 x 125 6 x 5	168.3 x 139.7 6.625 x 5.500	3.45 500	140.0 5.50	140.0 5.50
150 x 125 6 x 5	168.3 x 141.3 6.625 x 5.563	3.45 500	140.0 5.50	140.0 5.50
200 x 150 8 x 6	216.3 x 165.1 8.516 x 6.500	3.45 500	175.0 6.89	175.0 6.89
200 x 50 8 x 2	219.1 x 60.3 8.625 x 2.375	3.45 500	175.0 6.89	175.0 6.89
200 x 65 8 x 2½	219.1 x 76.1 8.625 x 3.000	3.45 500	175.0 6.89	175.0 6.89
200 x 80 8 x 3	219.1 x 88.9 8.625 x 3.500	3.45 500	175.0 6.89	175.0 6.89
200 x 100 8 x 4	219.1 x 108.0 8.625 x 4.250	3.45 500	175.0 6.89	175.0 6.89
200 x 100 8 x 4	219.1 x 114.3 8.625 x 4.500	3.45 500	175.0 6.89	175.0 6.89
200 x 125 8 x 5	219.1 x 133.0 8.625 x 5.250	3.45 500	175.0 6.89	175.0 6.89
200 x 125 8 x 5	219.1 x 139.7 8.625 x 5.500	3.45 500	175.0 6.89	175.0 6.89
200 x 150 8 x 6	219.1 x 159.0 8.625 x 6.250	3.45 500	175.0 6.89	175.0 6.89
200 x 150 8 x 6	219.1 x 165.1 8.625 x 6.500	3.45 500	175.0 6.89	175.0 6.89
200 x 150 8 x 6	219.1 x 168.3 8.625 x 6.625	3.45 500	175.0 6.89	175.0 6.89
250 x 150 10 x 6	273.0 x 165.1 10.750 x 6.500	3.45 500	229.0 9.00	229.0 9.00
250 x 150 10 x 6	273.0 x 168.3 10.750 x 6.625	3.45 500	229.0 9.00	229.0 9.00
250 x 200 10 x 8	273.0 x 219.1 10.750 x 8.625	3.45 500	229.0 9.00	229.0 9.00
300 x 150 12 x 6	323.9 x 165.1 12.750 x 6.500	3.45 500	254.0 10.00	254.0 10.00
300 x 200 12 x 8	323.9 x 219.1 12.750 x 8.625	3.45 500	254.0 10.00	254.0 10.00
300 x 250 12 x 10	323.9 x 273.0 12.750 x 10.750	3.45 500	254.0 10.00	254.0 10.00